

# OPTIWAY OPTICAL PATHWAY SYSTEM

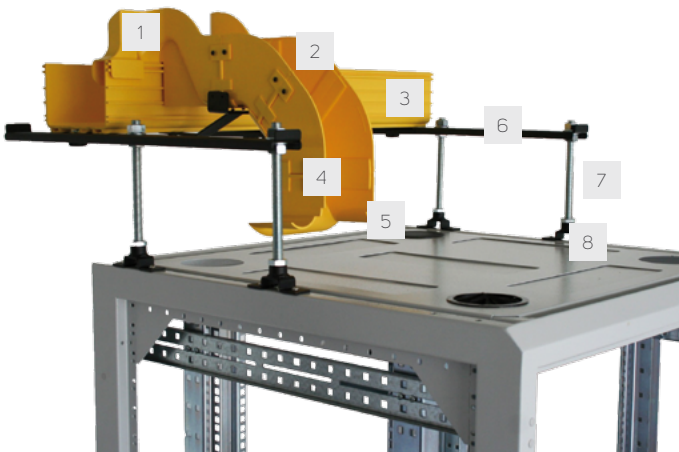


➤ **OptiWay** is designed to provide a safe, easy-to-use and cost-effective management system for fragile optical cables. OptiWay allows you to route fiber-optic cables between equipment, providing both the physical protection and bend radius management crucial to optical cable performance.

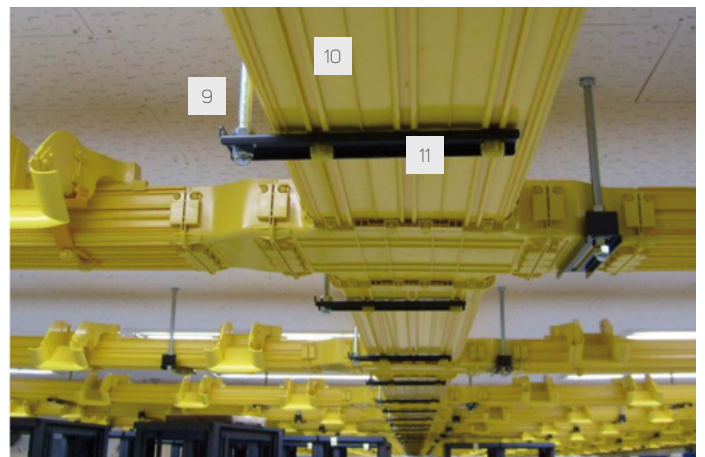
## MAIN ADVANTAGES

- Designed to make optical cable management systems safe and easy-to-use
- Fully modular, scalable system
- Bend radius protection
- Halogen-free PC-ABS material, compliant with UL 94 V-0
- Designed for three installation variables: hung from ceiling, top of rack support or a combination of these
- Multilevel installation
- The final design can be fully customizable

Description of pictures 1 and 2 below		
No.	Code	Description
1	OPW-10DR	Spillover
2	OPW-10IA90	Vertical inside elbow
3	OPW-16MD2M	Main duct
4	OPW-10JO	Joiner
5	OPW-10TP	Trumpet
6	OPW-RRB-100	Threaded rod attachment bracket (rack mounting)
7	OPW-TR-16/20	Threaded rod
8	OPW-TR-BR	Threaded rod mounting bracket
9	OPW-TR-16/100	Threaded rod
10	OPW-30MD2M	Main duct
11	OPW-TRB-30	Threaded rod attachment bracket (ceiling mounting)



1. OptiWay installation on top of rack

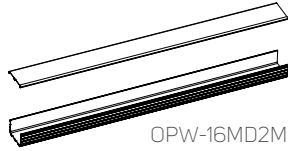
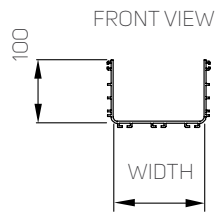


2. OptiWay ceiling installation

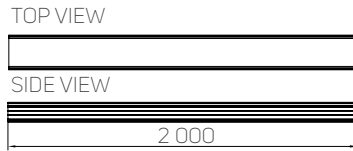
## MAIN DUCT



OPW-16MD2M-YL



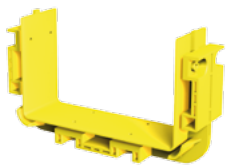
OPW-16MD2MC-YL



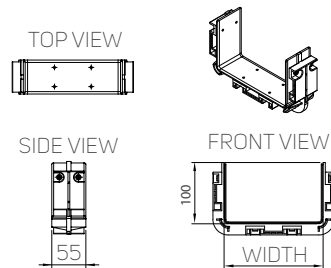
- An extruded 2-meter-long conduit; can be connected with other OptiWay products using joiners
- Delivered in even numbers (packaged by 2 pcs = 4 m)
- Can be easily cut to length on-site
- Duct load rating 20 kg/m; required distance between brackets max. 900 mm
- Color: Yellow

Code	Inner duct size (mm)		Length (m)	Package
	H	W		
OPW-16MD2M-YL	100	160	2	2 pcs
OPW-30MD2M-YL	100	300	2	2 pcs
<b>COVERS</b>				
OPW-16MDC2M-YL	-	160	2	1 pc
OPW-30MDC2M-YL	-	300	2	1 pc

## JOINER



OPW-16JO-YL



- Used to connect two OptiWay component
- Does not require drilling of duct or components
- Color: Yellow
- Package includes: 1x joiner, 8x screws

Code	Inner duct size (mm)		Package
	H	W	
OPW-10JO-YL	100	100	1 pc
OPW-16JO-YL	100	160	1 pc
OPW-30JO-YL	100	300	1 pc

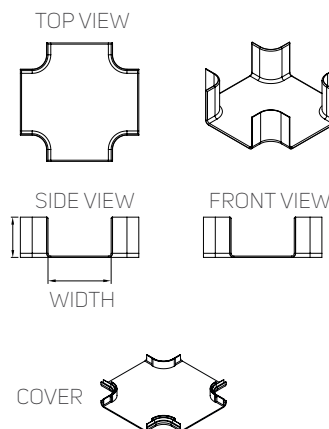
## CROSS



OPW-16CA-YL



OPW-16CAC-YL

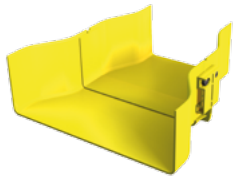


- Used to establish a 4-way, right-angled intersection
- Four joiners required per cross
- Color: Yellow

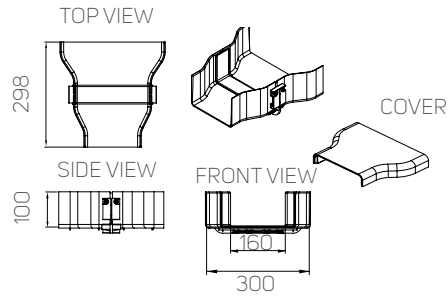
Code	Inner duct size (mm)		Package
	H	W	
OPW-16CA-YL	100	160	1 pc
OPW-30CA-YL	100	300	1 pc
<b>COVERS</b>			
OPW-16CAC-YL	-	160	1 pc
OPW-30CAC-YL	-	300	1 pc

Note: All dimensions in mm

## REDUCER



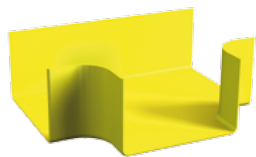
OPW-3016RD-YL



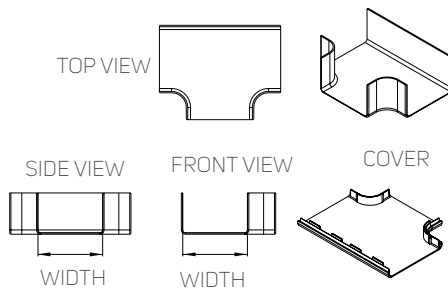
- Allows 300×100 mm and 160×100 mm OptiWay sections to be joined together
- Two joiners required per reducer
- Color: Yellow

Code	Inner duct size (mm)		Package
	H	W1 / W2	
OPW-3016RD-YL	100	300 / 160	1 pc
<b>COVERS</b>			
OPW-3016RDC-YL	-	300 / 160	1 pc

## TEE



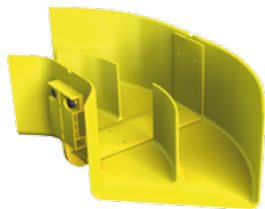
OPW-16TA-YL



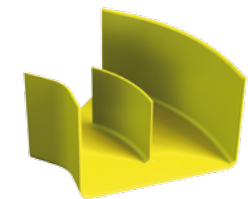
- Used to establish a 3-way, right-angled intersection
- Three joiners required per tee
- Color: Yellow

Code	Inner duct size (mm)		Package
	H	W	
OPW-16TA-YL	100	160	1 pc
OPW-30TA-YL	100	300	1 pc
<b>COVERS</b>			
OPW-16TAC-YL	-	160	1 pc
OPW-30TAC-YL	-	300	1 pc

## HORIZONTAL ELBOW



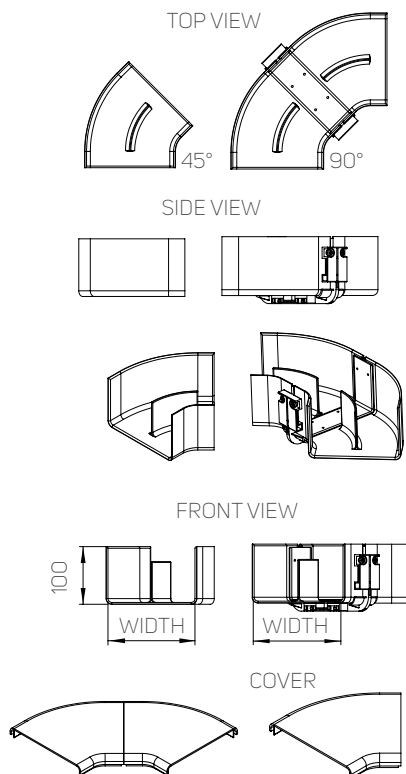
OPW-16HA90-YL



OPW-16HA45-YL



OPW-16HA90C-YL

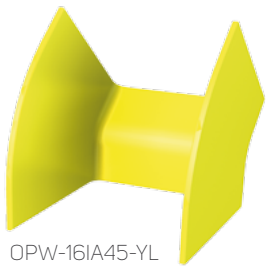


- Allows ducts to be diverted through 45° or 90°
- Two joiners required per elbow
- Color: Yellow

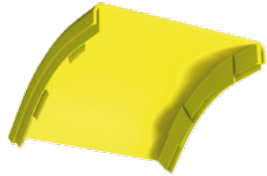
Code	Type	Inner duct size (mm)		Package
		H	W	
OPW-16HA45-YL	45°	100	160	1 pc
OPW-30HA45-YL	45°	100	300	1 pc
OPW-16HA90-YL	90°	100	160	1 pc
OPW-30HA90-YL	90°	100	300	1 pc
<b>COVERS</b>				
OPW-16HA45C-YL	45°	-	160	1 pc
OPW-30HA45C-YL	45°	-	300	1 pc
OPW-16HA90C-YL	90°	-	160	1 pc
OPW-30HA90C-YL	90°	-	300	1 pc

Note: All dimensions in mm

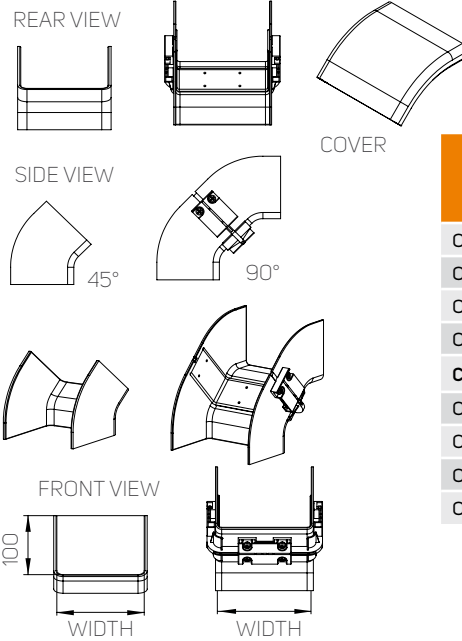
## VERTICAL INSIDE ELBOW



OPW-16IA45-YL



OPW-16IA45C-YL



- Allows ducts to be diverted through 45° or 90° with an inside angle (usually in a downward direction)
- Two joiners required per elbow
- Color: Yellow

Code	Type	Inner duct size (mm)		Package
		H	W	
OPW-16IA45-YL	45°	100	160	1 pc
OPW-30IA45-YL	45°	100	300	1 pc
OPW-16IA90-YL	90°	100	160	1 pc
OPW-30IA90-YL	90°	100	300	1 pc
<b>COVERS</b>				
OPW-16IA45C-YL	45°	-	160	1 pc
OPW-30IA45C-YL	45°	-	300	1 pc
OPW-16IA90C-YL	90°	-	160	1 pc
OPW-30IA90C-YL	90°	-	300	1 pc

## SPILOVER



OPW-10DR-YL



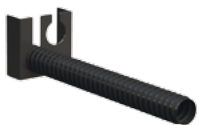
OPW-10DRC-YL



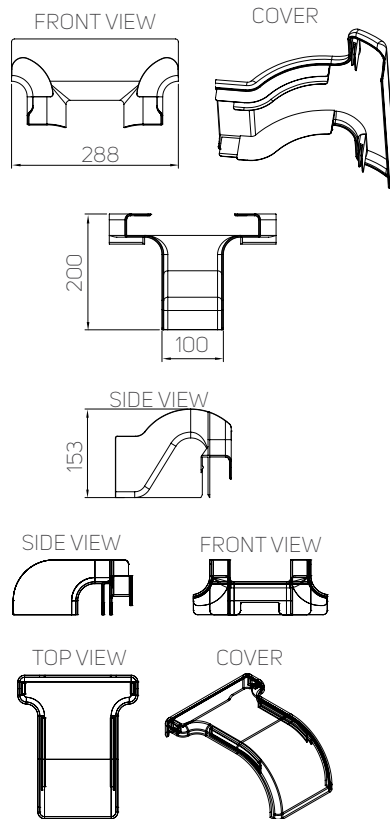
OPW-10DRF-YL



OPW-10DRFC-YL



OPW-10DRF-TG + OPW-10DRF-TB3

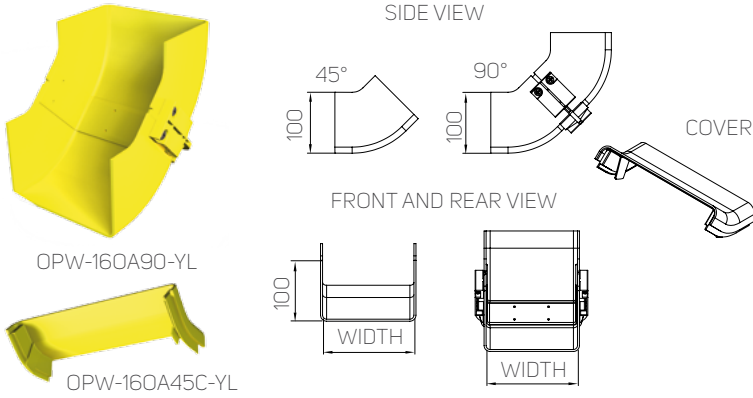


Code	Inner duct size (mm)		Package
	H	W	
OPW-10DR-YL	100	100	1 pc
OPW-10DRF-YL	100	100	1 pc
<b>COVERS</b>			
OPW-10DRC-YL	-	100	1 pc
OPW-10DRFC-YL	-	100	1 pc

SPILOVER ACCESSORIES		
Code	Description	Package
OPW-10JO-YL	OptiWay 100 Joiner, 100x100 mm, yellow	1 pc
OPW-10TP-YL	OptiWay 100 Trumpet, 100x100 mm, yellow	1 pc
OPW-10IA45-YL	OptiWay 100 mm, 45° down angle, yellow	1 pc
OPW-SDMB-16	OptiWay Side Drop Mounting Bracket for 160x100 mm duct	1 pc
OPW-SDMB-30	OptiWay Side Drop Mounting Bracket for 300x100 mm duct	1 pc
OPW-10DRF-TG	OptiWay 100 Spillover fall-out tube guide (up to two tubes), without tube, black	1 pc
OPW-10DRF-TB3	OptiWay 100 tube for spillover, outer diam. 40 mm, length 3 m, black	1 pc
OPW-10DRF-TB30	OptiWay 100 tube for spillover, outer diam. 40 mm, length 30 m, black	1 pc

- Used to provide a protected exit for cables leaving the OptiWay ducting system
- Color: Yellow

## VERTICAL OUTSIDE ELBOW



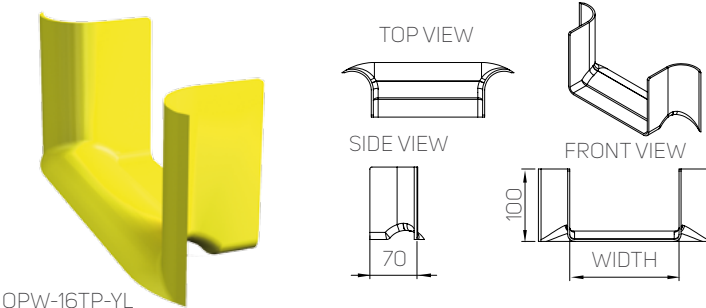
OPW-160A90-YL

OPW-160A45C-YL

- Allows ducts to be diverted through 45° or 90° with an inside angle (usually in an upward direction)
- Two joiners required per elbow
- Color: Yellow

Code	Angle	Inner duct size (mm)		Package
		H	W	
OPW-160A45-YL	45°	100	160	1 pc
OPW-300A45-YL	45°	100	300	1 pc
OPW-160A90-YL	90°	100	160	1 pc
OPW-300A90-YL	90°	100	300	1 pc
<b>COVERS</b>				
OPW-160A45C-YL	45°	-	160	1 pc
OPW-300A45C-YL	45°	-	300	1 pc
OPW-160A90C-YL	90°	-	160	1 pc
OPW-300A90C-YL	90°	-	300	1 pc

## TRUMPET

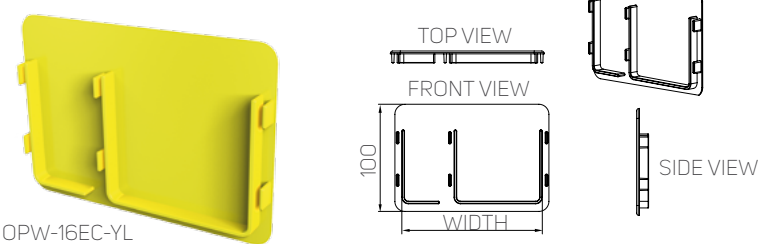


OPW-16TP-YL

- Used to provide bend-radius control for cables entering or exiting the OptiWay ducting system
- One joiner required per trumpet
- Color: Yellow

Code	Inner duct size (mm)		Package
	H	W	
OPW-10TP-YL	100	100	1 pc
OPW-16TP-YL	100	160	1 pc
OPW-30TP-YL	100	300	1 pc

## END CAP

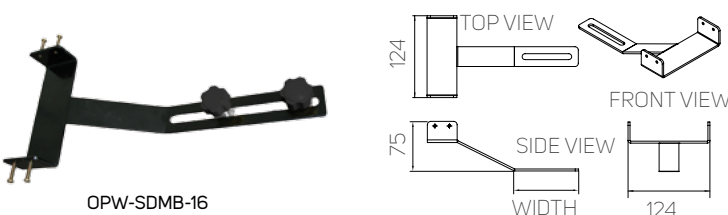


OPW-16EC-YL

- Provides a clean finish to end of OptiWay run
- Color: Yellow

Code	Inner duct size (mm)		Package
	H	W	
OPW-16EC-YL	100	160	1 pc
OPW-30EC-YL	100	300	1 pc

## SPILLOVER SUPPORT BRACKET



OPW-SDMB-16

- Spillover OPW-10DR-YL supporting element
- Color: Black
- Package includes: metal bracket and 2× fixing screws

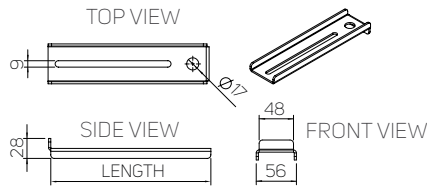
Code	Supported duct inner size (mm)		Package
	H	W	
OPW-SDMB-16	100	160	1 pc
OPW-SDMB-30	100	300	1 pc

Note: All dimensions in mm

# THREADED ROD ATTACHMENT BRACKET



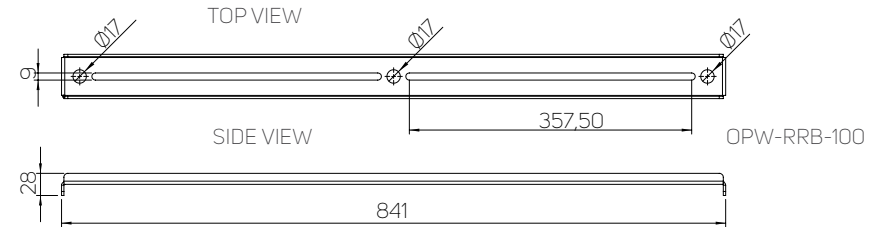
OPW-TRB



FRONT VIEW



- Basic supporting element
- Color: Black
- Recommended 12–16 mm diameter threaded rod
- Package includes: metal bracket and 2× fixing screws
- Please note: brackets do not include threaded rod

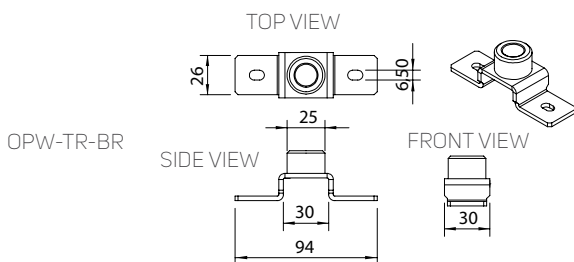


OPW-RRB-100

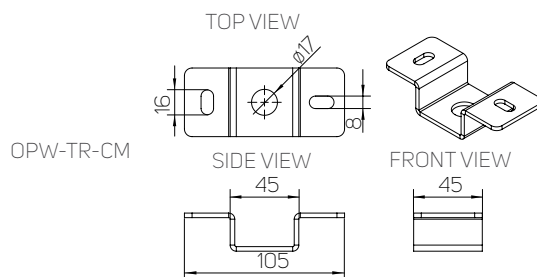
Code	Bracket length (mm)	Mounting type	Rec. rack depth (mm)	Mount. holes	Package
OPW-TRB-16	160	Ceiling-mounted	all	1	1 pc
OPW-TRB-30	300	Ceiling-mounted	all	1	1 pc
OPW-RRB-40	344	Mounted on top of the half part of the rack	800	2	1 pc
OPW-RRB-50	444	Mounted on top of the half part of the rack	1000	2	1 pc
OPW-RRB-60	644	Mounted on top of the half part of the rack	1200	2	1 pc
OPW-RRB-80	641	On top of or overlapping the rack	800	3	1 pc
OPW-RRB-100	841	On top of or overlapping the rack	1000	3	1 pc
OPW-RRB-120	1041	On top of or overlapping the rack	1200	3	1 pc
OPW-SRB-60	632	OptiWay – side mounting bracket for installation of cable duct on a 600 mm wide rack – front/rear orientation	–	2	1 pc
OPW-SRB-80	832	OptiWay – side mounting bracket for installation of cable duct on a 800 mm wide rack – front/rear orientation	–	2	1 pc

Note: Max. distance required between RRB brackets: 900 mm

# THREADED ROD MOUNTING BRACKETS



OPW-TR-BR



OPW-TR-CM

Code	Supported duct inner size (mm)		Mounting type	Package
	H	Size		
OPW-TR-16/100	1000	M16	From the ceiling	1 pc
OPW-TR-16/200	2000	M16	From the ceiling	1 pc
OPW-TR-16/20	210	M16	On top of the rack using OPW-TR-BR	1 pc
OPW-TR-16/40	400	M16	On top of the rack using OPW-TR-BR	1 pc
OPW-TR-16/60	600	M16	On top of the rack using OPW-TR-BR	1 pc
OPW-TR-BR	–	M16	Threaded rod mounting bracket for top part of RDF/RSF	1 pc
OPW-TR-CM	–	M16	Threaded rod mounting bracket for ceiling installation with OPW-TR-16/100 or 200	1 pc



[www.conteg.com](http://www.conteg.com)



**CONTEG, spol. s r.o.**

**Headquarters:**

Na Vítězské pláni 1719/4  
140 00 Prague 4  
Czech Republic  
Tel.: +420 261 219 182  
[conteg@conteg.com](mailto:conteg@conteg.com)  
[www.conteg.com](http://www.conteg.com)

**Production plant:**

K Silu 2179  
393 01 Pelhřimov  
Czech Republic  
Tel.: +420 565 300 300

**Local Branches/Offices:**

Austria/Germany/Switzerland:	+420 261 219 182
Benelux:	+31 76 5420 709
Southeastern Europe:	+49 172 8484 346
Finland:	+358 50 414 1257
France/Italy/Maghreb:	+33 1 60 04 55 90
Middle East:	+971 55 508 3241
Russia/CIS:	+7 495 967 3840
Saudi Arabia:	+966 54 000 2341

**CONTEG**